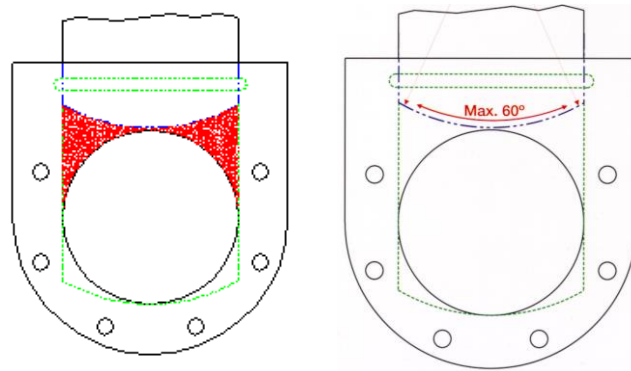




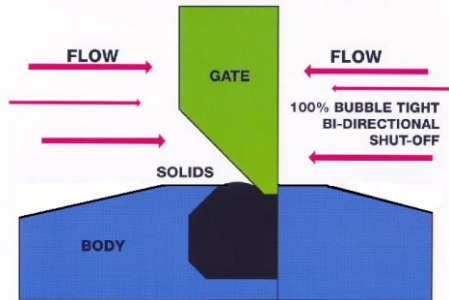
- **Bi-directional Shutoff: Zero Leakage from 28" HG to Full Pressure Rating**
- **Valve does not require pressure assistance to seal**
- **Gate is fully guided for the entire stroke**
- **Non-Rising Stem**

Gate Design



- 60 degree max arc pushes solids ahead of gate and eliminates wedging effect
- Reduced Chest Area
- Self-Cleaning relief corners

Seat Design



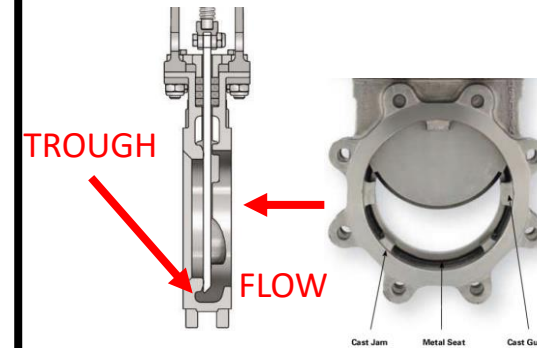
- Combination Metal and Resilient Seat
- Shearing effect for fibrous materials
- Self-Cleaning
- No Cavity "Trough" in Seat Area

CONVENTIONAL STORE STOCK KNIFE GATE VALVE



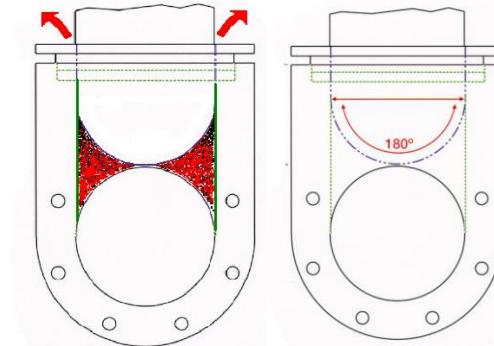
- **Uni-body knife gates have a pressure-assisted seal. A minimum of 40 psi is typically required to deflect the gate to contact the metal seat. Lower pressure=higher leakage**
- **Uni-directional flow**
- **Gate guides and wedges to partially guide the gate during stroke**

Body & Seat Cavity



- "Trough" seats in the perimeter of the body allow material buildup
- Material buildup leads to dewatering
- Material buildup can cause the valve to lock-up

Gate Design



- 180 degree arc
- Leakage through Packing Gland
- Dewatering in Chest Area
- Solids build up-wedging effect



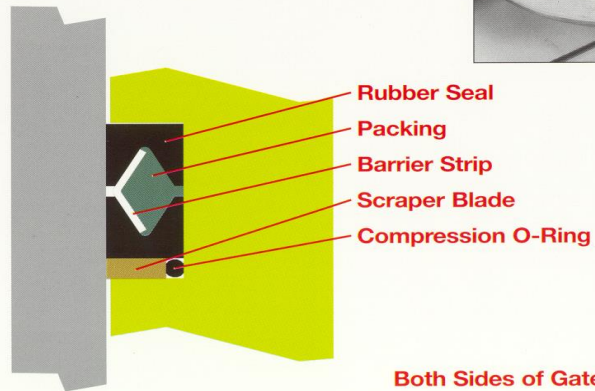
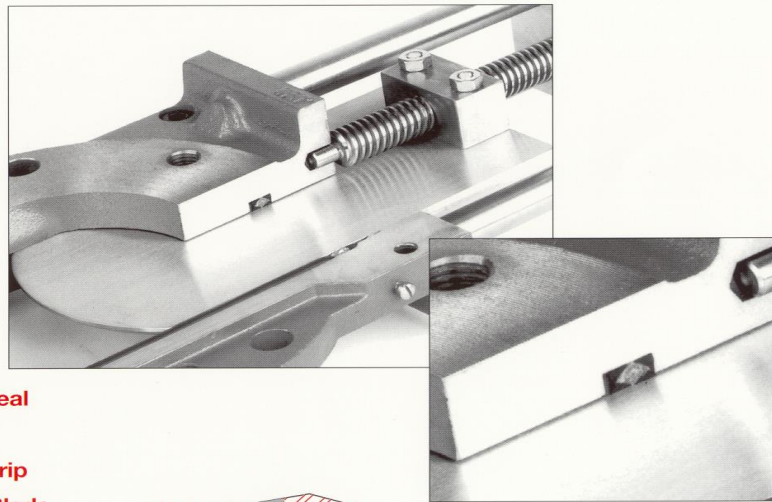
WEY®



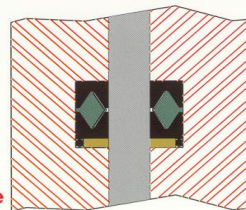
- **Transverse Seal Design allows the valve to be re-packed while in service. No need to remove valve from line.**

WEY Valve Transverse Seal

- Tighter Shutoff
- Longer Life
- Re-packable in Service and Under Pressure
- Compensates for Wear
- Available in Teflon, Kevlar and Others



Both Sides of Gate



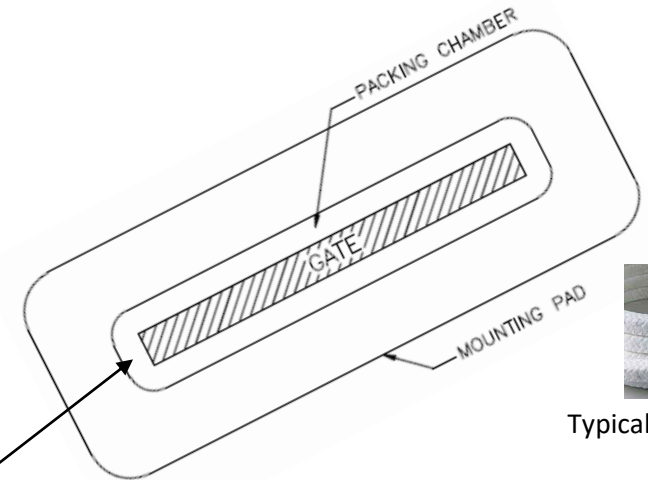
© 1998, Wey Valve, Inc.

16

CONVENTIONAL STORE STOCK KNIFE GATE VALVE



- **Rope Type Force-Fit Packing**
- **Inconsistent Loading on Packing**
- **Lack of Gate Guiding Leads to Gate Shifting Off-Center**
- **Premature Packing Wear**



Typical Rope Packing

- Sharp corners cause premature wear points on packing
- Difficult to force-fit rope packing into the chamber and maintain a uniform seal

VALVE MUST BE REMOVED FROM LINE TO BE RE-PACKED

R.E. MASON

For More Information,
Contact Your Account Manager

(704) 375-4464 | (804) 858-5800
NORTH CAROLINA | SOUTH CAROLINA | VIRGINIA